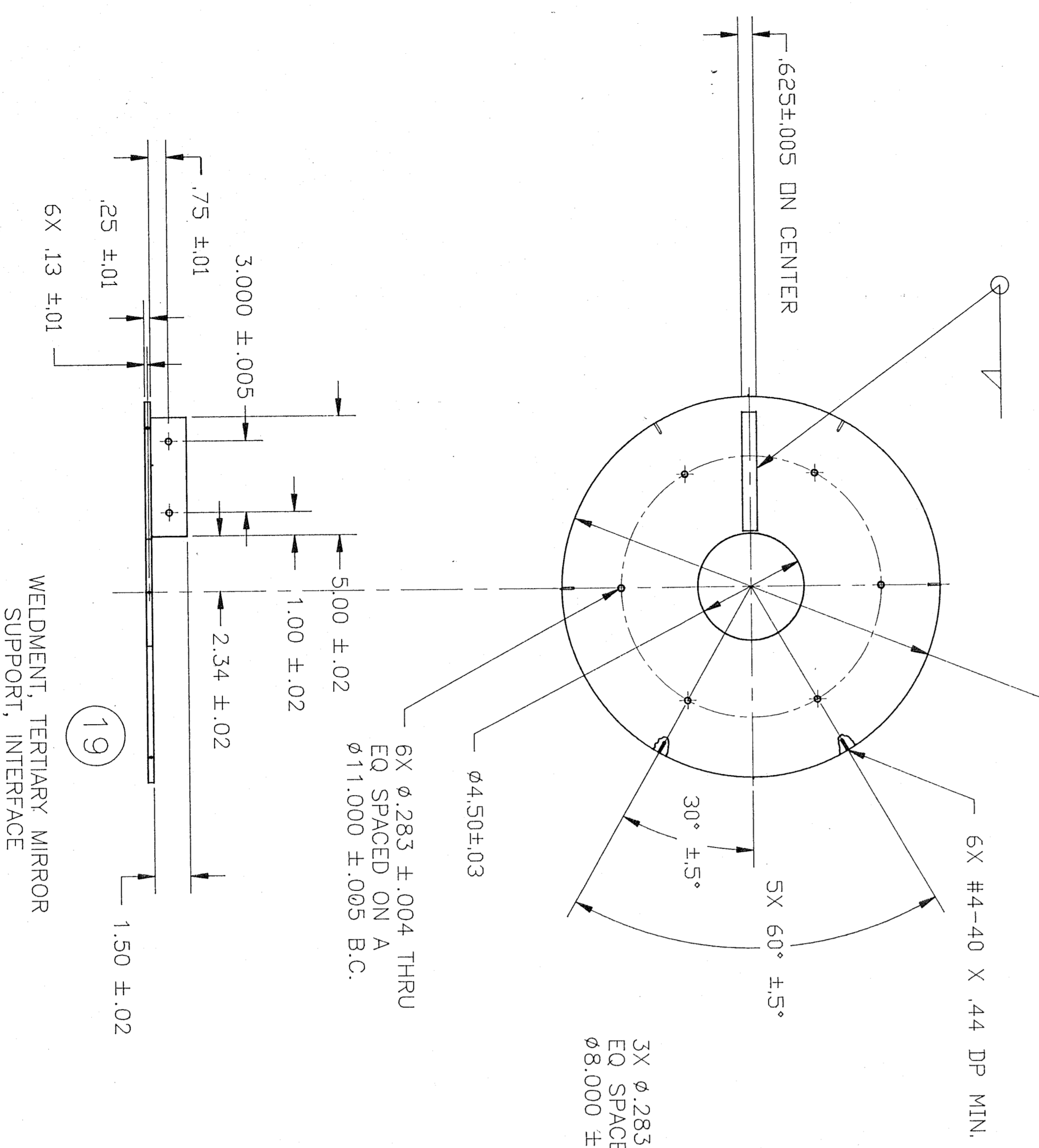
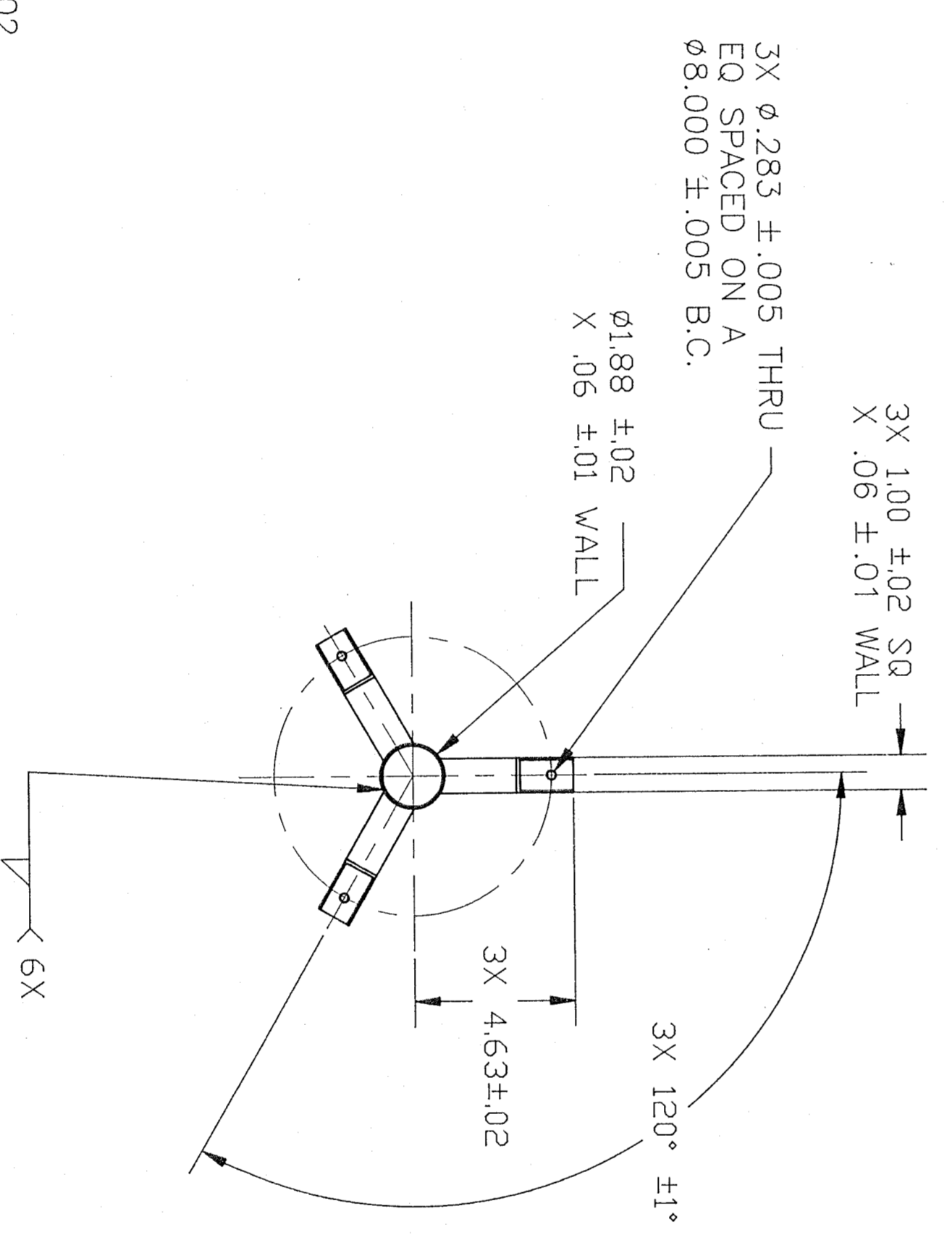


(18)
WELDMENT,
TERTIARY MIRROR SUPPORT

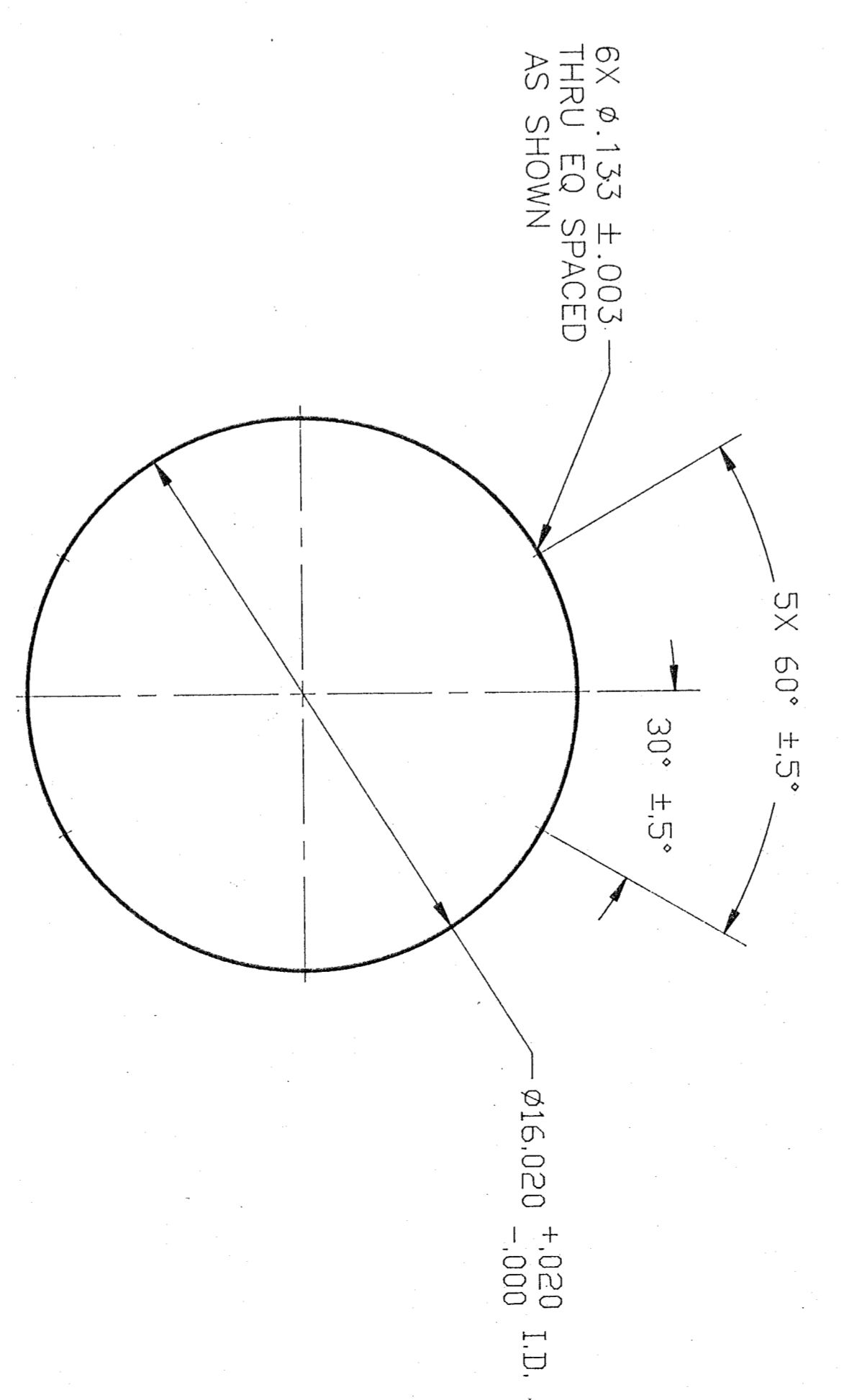
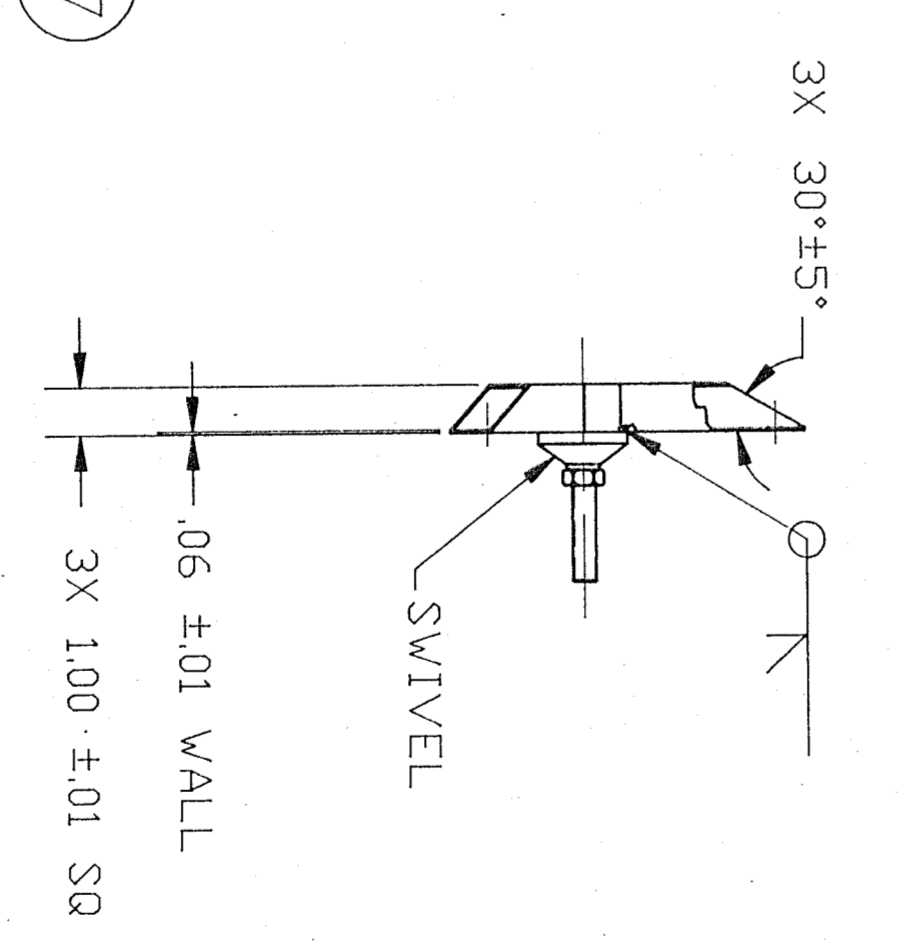
VIEW A-A
ROTATED CW 45°



(19)
WELDMENT, TERTIARY MIRROR
SUPPORT, INTERFACE



(17)
WELDMENT,
TERTIARY BOOMERANG



(20)
BAFFLE,
TERTIARY MIRROR

ALPINE 5/10/93 1000AA 1/4 REV

AutoScope CORPORATION
P.O. BOX 3504, LEESE, ARIZONA 85307-0350 U.S.A.
PHONE (602) 497-8882

1000AA-34